

POWER MIRRORS

CONTENTS

	page		page
GENERAL INFORMATION	1	MIRROR MOTOR TEST	1
HEATED MIRROR	1	MIRROR SWITCH REPLACEMENT	2
MIRROR ASSEMBLY REPLACEMENT	2	MIRROR SWITCH TEST	1

GENERAL INFORMATION

Electrically-operated remote control mirrors are available as an option on AS-body vehicles. The mirrors are controlled by a switch assembly located on the driver's door armrest bezel.

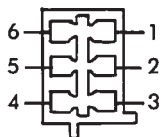
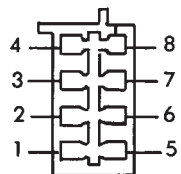
The vehicle use a rocker switch for right or left side mirror selection and four buttons for mirror UP, DOWN, RIGHT, or LEFT movement.

The motors which operate the mirrors are part of the mirror assembly and cannot be serviced separately.

MIRROR MOTOR TEST

- (1) Remove door trim panel. Refer to Group 23, Body.
- (2) Disconnect wiring harness connector to the Power Mirror.
- (3) Using two jumper wires:
 - Connect one to a 12-volt source
 - Connect the other to a good body ground
 - Refer to the Mirror Test Chart for wire hookups at the switch connector (Fig. 1).

MIRROR TEST			
SWITCH CONNECTOR			
12 Volts	Ground	MIRROR REACTION	
		Right	Left
PIN 5	PIN 8	UP	
PIN 5	PIN 4		UP
PIN 8	PIN 5	DOWN	
PIN 4	PIN 5		DOWN
PIN 7	PIN 6	RIGHT	
PIN 3	PIN 6		RIGHT
PIN 6	PIN 7	LEFT	
PIN 6	PIN 3		LEFT
DOOR CONNECTOR			
12 Volts	Ground	MIRROR REACTION	
		Right	Left
PIN 4	PIN 2	UP	
PIN 2	PIN 4	DOWN	
PIN 6	PIN 5	RIGHT	
PIN 5	PIN 6	LEFT	
PIN 1	PIN 3	HEATER	



918T-2

Fig. 1 Power Mirror Test

- (4) If results shown in chart are not obtained, check for broken or shorted circuit, or replace mirror assembly as necessary.

MIRROR SWITCH TEST

- (1) Remove power mirror switch from mounting position.
- (2) Disconnect wiring harness at switch connector.
- (3) Using a ohmmeter, test for continuity between the terminals of the switch as shown in the Mirror Switch Continuity Chart (Fig. 2).

MIRROR SWITCH CONTINUITY	
Mirror Selector Knob in "L" Position	
MOVE LEVER	CONTINUITY BETWEEN
▲	PINS 3 AND 8 PINS 1 AND 4
▶	PINS 3 AND 2 PINS 7 AND 4
▼	PINS 3 AND 1 PINS 8 AND 4
◀	PINS 3 AND 7 PINS 2 AND 4
Mirror Selector Knob in "R" Position	
MOVE LEVER	CONTINUITY BETWEEN
▲	PINS 3 AND 8 PINS 5 AND 4
▶	PINS 3 AND 6 PINS 7 AND 4
▼	PINS 3 AND 5 PINS 8 AND 4
◀	PINS 3 AND 7 PINS 6 AND 4

928T-6

Fig. 2 Mirror Switch Test

If results shown in the chart are not obtained, replace the switch.

HEATED MIRROR

Heated mirrors are available with Power Mirrors and Rear Window Defogger only. The heated mirror is controlled by the rear window defogger switch. The heated mirror is on when the rear window defogger is on.

TEST PROCEDURES

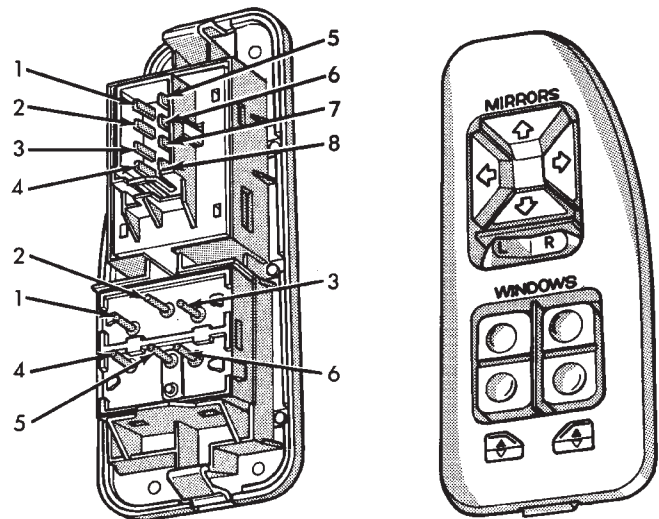
- (1) The mirror should be warm to the touch.
 - (a) If not check fuses.
 - (b) Test voltage at rear window defogger switch.
- If no voltage repair wire.
- Apply voltage to one wire and ground the other, refer to Fig. 1 for pin numbers. Mirror should become warm to the touch.
- If not remove mirror glass and test the wires for continuity. If no continuity repair wires.
- If wires are OK, replace mirror glass.
- To test defogger switch refer to Group 8N, Rear Window Defogger.

MIRROR SWITCH REPLACEMENT

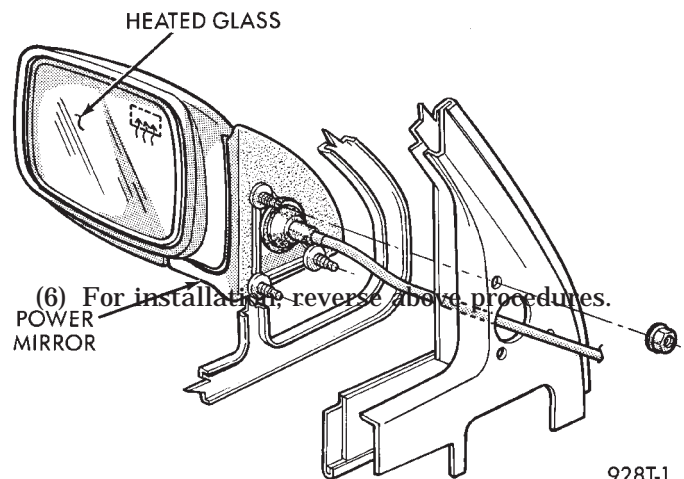
- (1) Remove driver's door mirror switch bezel from armrest (Fig.3).
- (2) Disconnect wiring connector.
- (3) Remove switch from bezel.
- (4) For installation, reverse above procedures.

MIRROR ASSEMBLY REPLACEMENT

- (1) Remove door trim panel and weather shield. Refer to Group 23, Body.
- (2) Reach inside door and disconnect mirror wiring at connector.
- (3) Remove two mirror trim bezel retaining screws, and pull bezel away from door (Fig. 4).
- (4) Remove three mirror retaining nuts.
- (5) Pull mirror loose from door, and feed wiring harness out through hole in outer door panel.



928S-1

Fig. 3 Power Mirror/Window switch Bezel

928T-1

Fig. 4 Power Mirror